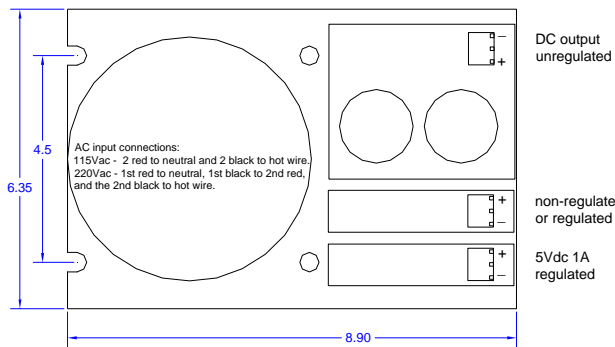


These power supplies are designed for used in the servo motor drive and high over loaded applications. They will work on both standard 115V and 230V at 50Hz or 60Hz. This toroidal transformer has heavier gauge wires then the normal requirement to avoid the copper lost during the full load output and over load output.

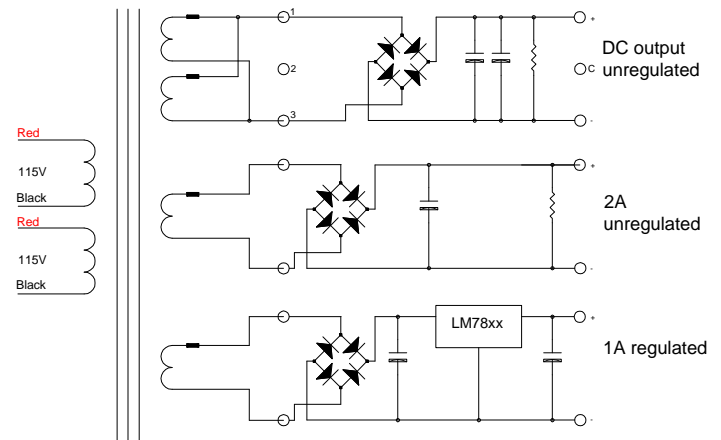
The power supply has a flexible add on option that allows more outputs as needed. Those isolated outputs can be used as logic control or encoder power supply. The main output has 2 large capacitors (10000uF x2) to guaranty the output ripple to minimum.

The chassis is made of 3/32" thick aluminum for strength and heat dissipation from rectifier and linear regulators. It will work continuous without any over heat problem.



**AC power connections:**

115Vac – 2 red wires to neutral & 2 black wires to hot.  
220Vac – 1<sup>st</sup> red wire to neutral, 1<sup>st</sup> black wire to 2<sup>nd</sup> red wire, and the 2<sup>nd</sup> black wire to hot.



Model No.	Output 1	Output 2	Output 3	Note:
PS-5N50	50Vdc 10A	-	-	Output 2 & Output 3 can be added later as required. Other regulated voltages such as 3.3V, 6V, 8V, and 10V are also available in few days. Optional fuse module is available.  * linear regulated output
PS-5N50N17	50Vdc 10A	17Vdc 2A	-	
PS-5N50N17R5	50Vdc 10A	17Vdc 2A	5Vdc 1A *	
PS-5N50N24	50Vdc 10A	24Vdc 2A	-	
PS-5N50N24R5	50Vdc 10A	24Vdc 2A	5Vdc 1A *	
PS-5N50R5	50Vdc 10A	5Vdc 1A *	-	
PS-5N50R5R12	50Vdc 10A	5Vdc 1A *	12Vdc 1A*	
PS-5N50R12	50Vdc 10A	12Vdc 1A *	-	