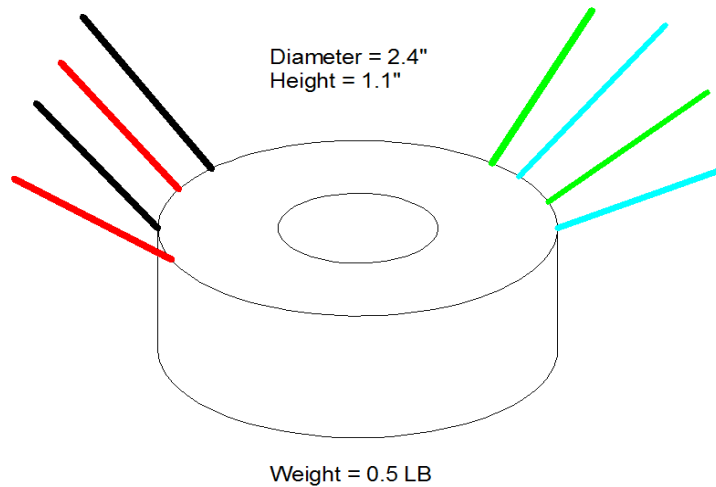
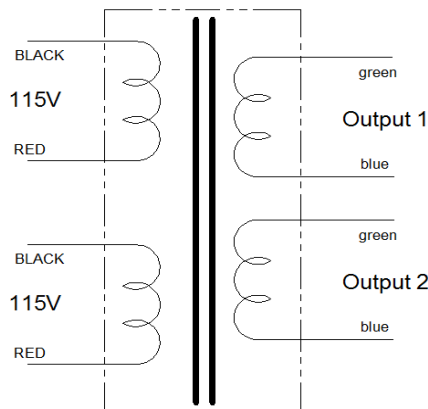


The 10VA toroidal transformers are commonly used in the noise sensitive equipment or high end audio products. They are specially designed to work on all standard 115V or 230V at 50Hz or 60Hz. These transformers have heavier gauge wires than the normal requirement to avoid the copper lost during the full power output. And it has a very low magnetic leakage. The dielectric test is more than 3500V in between primary and secondary coils.

In most of the cases, this transformer can be output 20% more power from its rating at 60Hz power source without any problem. This transformer comes with a rubber pad and all mounting hardware.



Model #	Input 1	Input 2	Output 1	Output 2	I <sub>rated</sub>	V <sub>test</sub> 1*	V <sub>test</sub> 2*
AN-0102M	115V	115V	2.5V	2.5V	2A	2.5V at 2.0A	2.4V at 4.0A
AN-0105	115V	115V	5V	5V	1A	5.0V at 740mA	4.5V at 1.75A
AN-0106	115V	115V	6V	6V	830mA	6.0V at 500mA	5.7V at 910mA
AN-0107	115V	115V	7V	7V	710mA	7.0V at 460mA	6.7V at 840mA
AN-0109	115V	115V	9V	9V	550mA	8.9V at 430mA	8.2V at 920mA
AN-0110	115V	115V	10V	10V	500mA	9.9V at 480mA	9.0V at 930mA
AN-0112	115V	115V	12V	12V	410mA	11.8V at 450mA	11.2V at 670mA
AN-0115	115V	115V	15V	15V	330mA	14.8V at 280mA	13.9V at 520mA
AN-0118	115V	115V	18V	18V	270mA	17.5V at 310mA	16.8V at 470mA
AN-0120	115V	115V	20V	20V	250mA	19.0V at 325mA	18.1V at 470mA
AN-0124	115V	115V	24V	24V	210mA	22.2V at 350mA	21.5V at 450mA
AN-0125	115V	115V	25V	25V	200mA	23.1V at 300mA	22.2V at 400mA
AN-0130	115V	115V	30V	30V	167mA	29.2V at 150mA	27.5V at 350mA

\* both outputs are connected in parallel with input voltage at 120Vac 60Hz.