



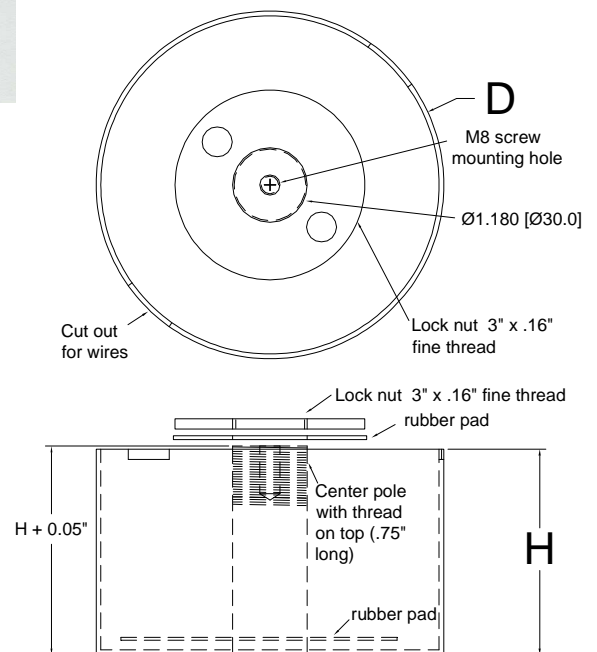
This CA-xxx toroidal transformer covers are specially designed to prevent any magnetic field or electrical noise interfere with the sensitive components in equipment or high-end audio products.

These magnetic shielded covers are for our 50VA to 400VA toroidal power transformers. They are welded together from heavy gauge steel and painted in black. The cover will include all required hardware such as 2 rubber pads, lock nut, and mounting screw to the chassis.

This universal cover can enclose toroidal transformer without potting material. It allows the user to change the transformer easily in the future.

There are 2 rubber pads to isolate the transformer to contact with the metal case and lock nut. The center rod is about 0.05" longer so there is not electrical short on this case to the main chassis (assume the chassis is metal).

The cover is powder coat in semi-gloss black, and other mounting hardware is zinc plated finish.



Steel Cover for Transformer

Part No.	Description	Diameter	Height	W Thick	Weight
CA-050	Case for AN-05xx transformers	3.75"	2.00"	0.06"	1.5 LB
CA-100	Case for AN-1xxx transformers	4.90"	2.60"	0.12"	3.0 LB
CA-200	Case for AN-2xxx transformers	5.50"	2.90"	0.12"	3.5 LB
CA-300	Case for AN-3xxx transformers	5.50"	3.45"	0.12"	4.0 LB
CA-400	Case for AN-4xxx transformers	5.95"	3.45"	0.12"	4.8 LB