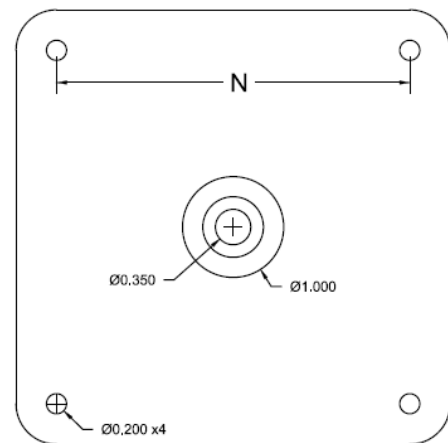
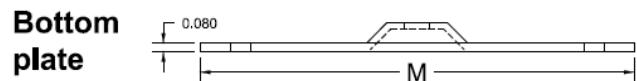
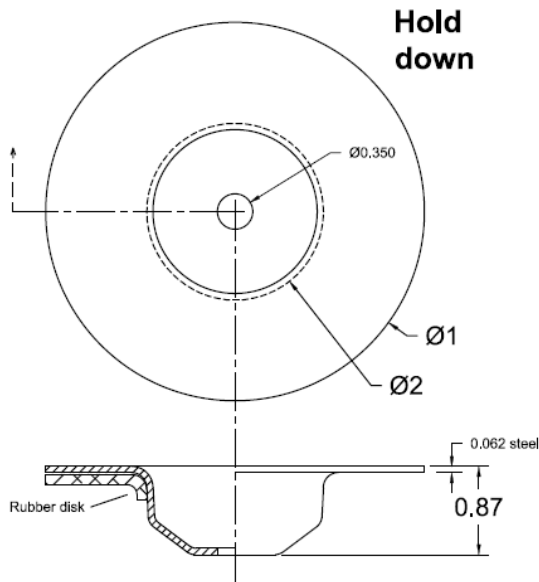
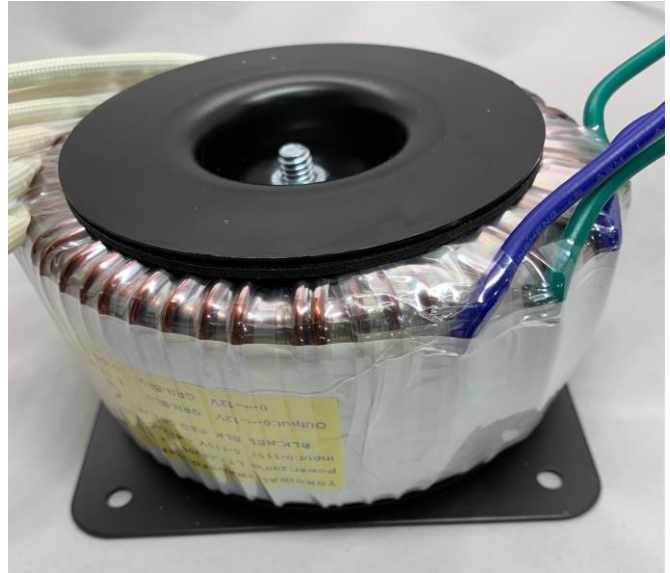




Say goodbye to the hassle of dealing with middle screws causing short circuits with the chassis. Our innovative design eliminates this common issue, providing a safer and more efficient mounting solution. Easy to install and built to last, the Toroidal Transformer Hold Down Assembly Kit is an essential addition to any setup requiring stable and secure transformer placement. Trust in our quality and protect your investment with this superior hold down assembly kit.

Introducing the Toroidal Transformer Hold Down Assembly Kit – the ultimate solution for securely mounting your toroidal transformers. Crafted from heavy-duty steel, this robust assembly kit ensures your transformer stays firmly in place, preventing any unwanted movement. Designed for durability and reliability, it offers a sturdy and dependable way to secure your transformer, enhancing the overall performance and longevity of your electronic equipment.



Model	Suitable Transformers	Ø1	Ø2	M	N	Weight
CH-300	50VA - 100VA power transformers	3.00"	1.25"	4.3"	3.50"	0.4LB
CH-335	200VA - 400VA power transformers	3.35"	1.50"	5.2"	4.25"	0.6LB
CH-375	500VA -1500VA power transformers	3.75"	1.75"	6.0"	5.00"	0.8LB