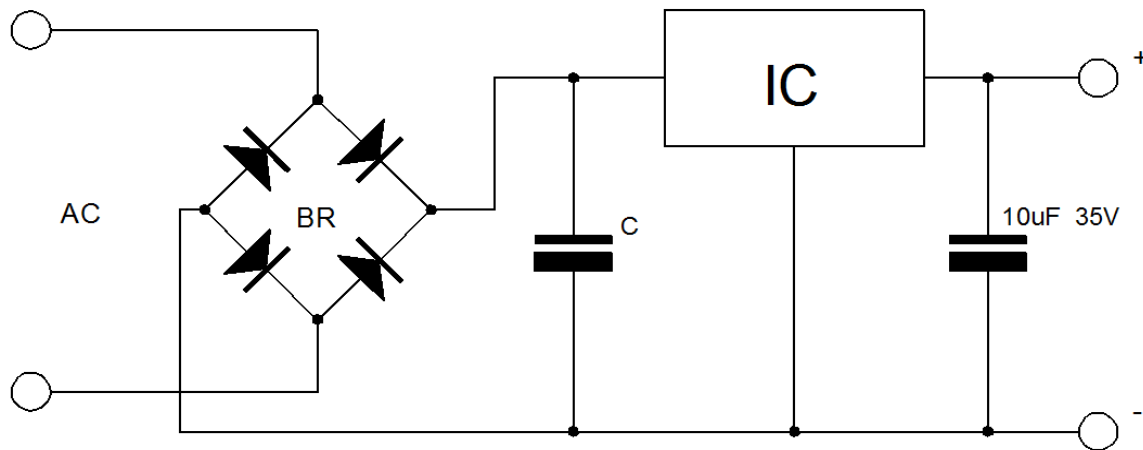


This is a small power rectifier with linear voltage regulator module for Antek power supplies. It includes all components to convert AC to DC. The aluminum housing dissipate heat generated from the voltage regulator IC (TO-220 package). For more electrical specification, please check the IC data online.

We suggest that the continuous power drop on the regulator IC should not be more than 15W.

Dimension: 3" x 0.8" x 2.3"h
Weight: 0.1 Pound
Two Mounting Holes
Space: 2.7"
Screws: 6-32 tap holes x2



Model	Vout	I _{max}	Component Detail
DR-05	5Vdc	1A	BR - 1A 100V, C - 1000uF 25V, IC - L7805
DR-05B	5Vdc	2A	BR - 2A 100V, C - 2000uF 25V, IC - L78S05
DR-12	12Vdc	1A	BR - 1A 100V, C - 1000uF 35V, IC - L7812
DR-12B	12Vdc	2A	BR - 2A 100V, C - 2000uF 35V, IC - L78S12