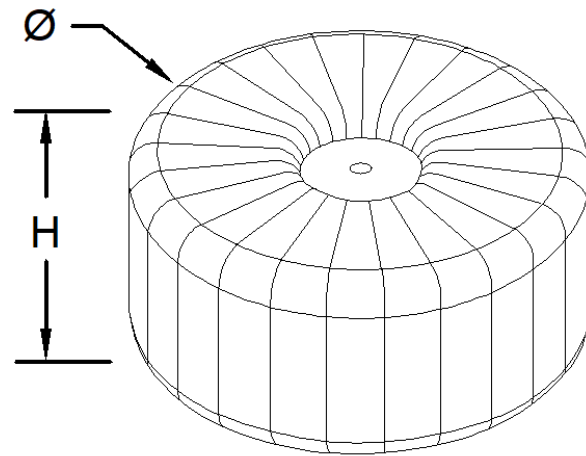
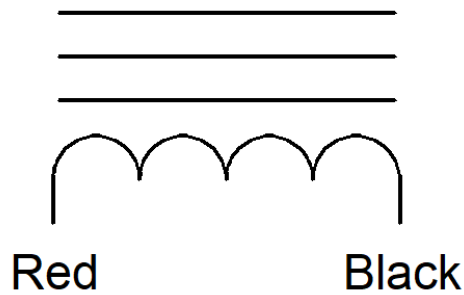




This is a newly design power filter choke with toroidal core. It allows the winding can be distributed around the whole of the core, which gives better utilization of the core material, shorter magnetic path, and further helps the Q value.

We specially cut the air gap so there is less magnetic leakage to interfere with other devices. It is smaller size and easier to mount to chassis.



Model #	Inductance	DC Current	Resistance	Dimension (Ø x H)	Weight
LK-3H250	3H	250mA	26Ω	2.6 x 1.6 inch	1.3 LB
LK-3H500	3H	500mA	13Ω	4.3 x 2.5 inch	6.8 LB
LK-5H150	5H	150mA	58Ω	2.5 x 1.5 inch	0.8 LB
LK-5H250	5H	250mA	30Ω	3.0 x 1.8 inch	2.1 LB
LK-8H100	8H	100mA	120Ω	2.5 x 1.6 inch	1.0 LB
LK-8H200	8H	200mA	49Ω	3.1 x 1.7 inch	2.3 LB
LK-12H80	12H	80mA	185Ω	2.5 x 1.6 inch	1.0 LB
LK-12H150	12H	150mA	66Ω	3.0 x 1.7 inch	1.7 LB