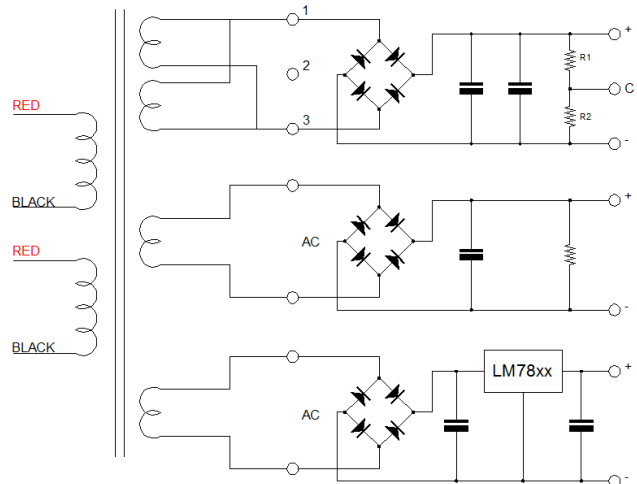
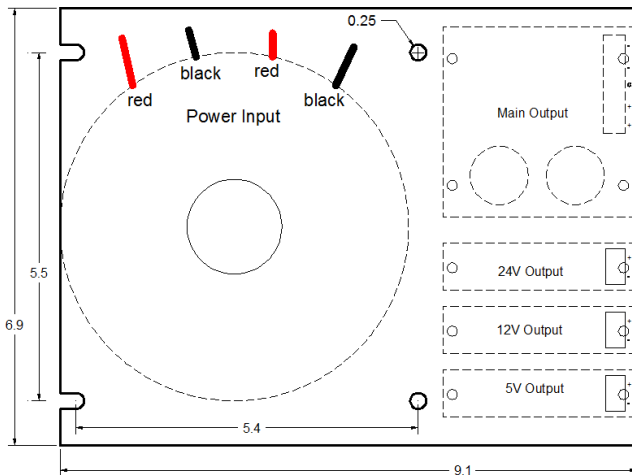




This power supply is designed for use in the step/servo motor drive and high over loaded applications. It will work on both standard 115V and 230V at 50Hz or 60 Hz. This toroidal transformer has heavier gauge wires than the normal requirement to avoid the copper lost during the full load output and over load output. The power supply has a flexible add on option that allows more outputs as needed. Those isolated output can be used as logic control or relay power supply. The main output has 2 large capacitors (10000uFx2) to guaranty the output ripple to minimum. The chassis is made of 3/32" thick aluminum for strength and heat dissipation from rectifier and linear regulators. It will work continuous without any over heat problem.



Part Number	Main Output	Output 2	Output 3	Output 4	Note
PS-10N48	48V 20A	-	-	-	1. Output voltages are measured at no load. 2. Optional fuse block is available. Add suffix F. 3. AC power connections: 115Vac – 2 red wires to neutral & 2 black wires to hot. 230Vac – 1 st red wire to input, middle 2 wires(black & red) connected, and last black to input. 4. Main output current can be 150% of the rated current for short time. * Regulated output
PS-10N48N24	48V 20A	24V 2A	-	-	
PS-10N48N24R5	48V 20A	24V 2A	-	5V 1A*	
PS-10N48N24R5B	48V 20A	24V 2A	-	5V 2A*	
PS-10N48R12	48V 20A	-	12V 1A*	-	
PS-10N48R12R5	48V 20A	-	12V 1A*	5V 1A*	
PS-10N48R12R5B	48V 20A	-	12V 1A*	5V 2A*	
PS-10N48R5	48V 20A	-	-	5V 1A*	
PS-10N48R5B	48V 20A	-	-	5V 2A*	