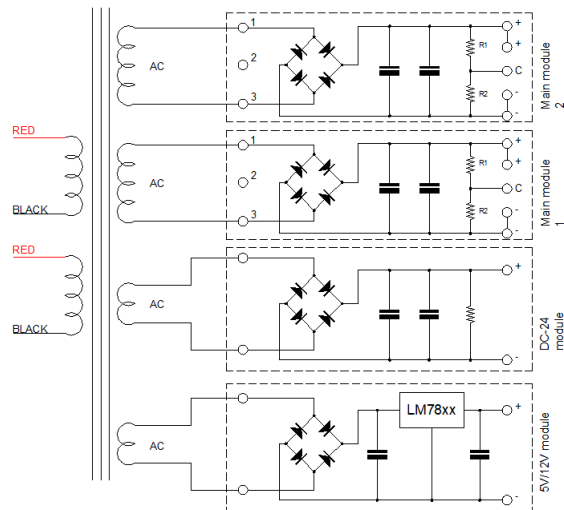
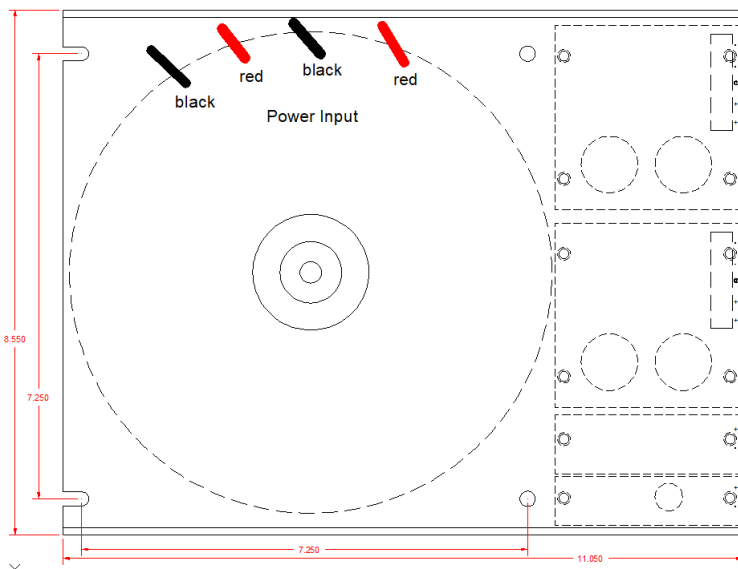


This power supply is designed for use in the stepper or servo motors and heavy load applications. It will work on both standard 115V and 230V at 50Hz or 60Hz. This toroidal transformer has heavier gauge copper wires than the normal requirement to avoid the copper loss during the full load output and over load output. Peak output current can be as high as 150% of rated current for a minute.

The power supply has a flexible add on option that allows more outputs as needed. Those isolated outputs can be used for logic control or relay power supply. The main output has 2 large capacitors to guaranty the output ripple to minimum.

The chassis is made of 1/8" thick aluminum for strength and heat dissipation from rectifier and linear regulator modules. It will work continuously without any over heat problem.



Part Number	Module 1	Module 2	Module 3	Module 4	Note
PS-15N50	50V 15A	50V 15A			1. Output 3 & 4 can be added later as required. 2. Optional fuse block is available. 3. AC power connections: 115Vac – 2 red wires to neutral & 2 black wires to hot. 230Vac – 1 <sup>st</sup> red wire to input, middle 2 wires (black & red) connected, and last black to input. * Suffix (F) fuse module FM-3 ** Suffix (D) soft start DL-12A
PS-15N50R5	50V 15A	50V 15A		5V 1A	
PS-15N50R12	50V 15A	50V 15A	12V 1A		
PS-15N50N24	50V 15A	50V 15A	24V 2A		
PS-15N50N24R5	50V 15A	50V 15A	24V 2A	5V 1A	
PS-15N50F*	50V 15A	50V 15A			
PS-15N50D**	50V 15A	50V 15A			
PS-15N50FD	50V 15A	50V 15A			
PS-15N50R5FD	50V 15A	50V 15A		5V 1A	