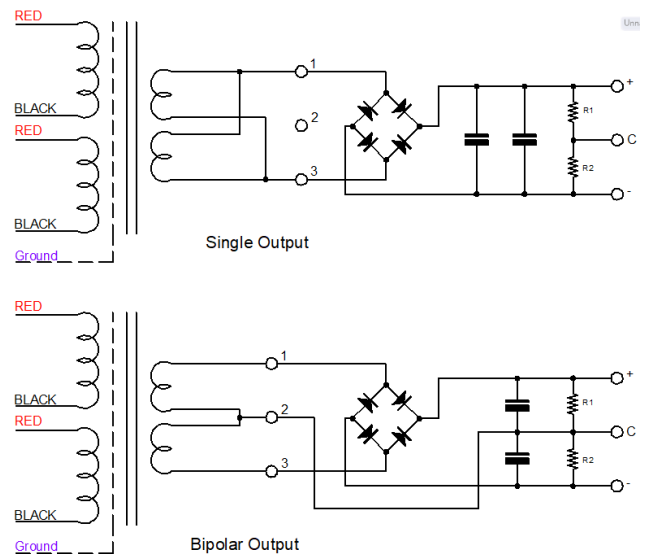
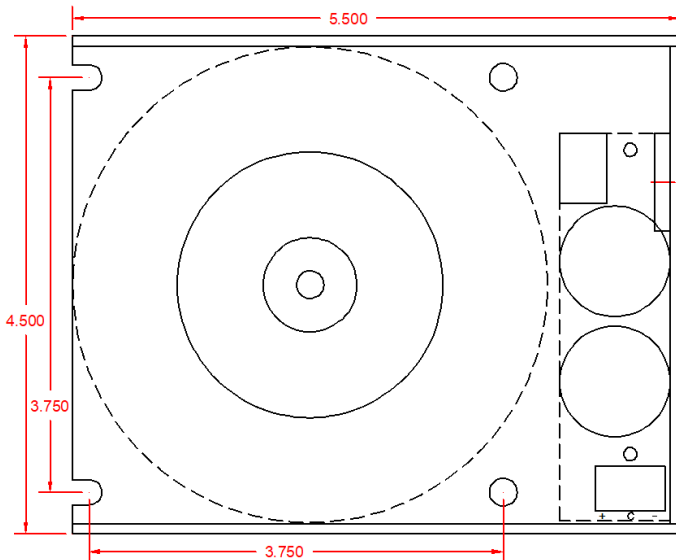


This power supply is specifically designed for small power applications and can function on both standard 115V and 230V power sources at 50Hz or 60Hz frequencies. The toroidal transformer used in this power supply has very low magnetic leakage, which prevents it from interfering with other circuits. It also has a static shield between the primary and secondary components that reduces leakage current. In addition, it is more reliable compared to switching power supplies.

The DC output is equipped with two large capacitors to ensure minimal output ripple. The main output current can briefly exceed the rated current by 150%.

To ensure durability and efficient heat dissipation from the rectifier, the chassis is constructed with 3/32" thick aluminum. This power supply can operate continuously without overheating even when enclosed in a compartment.



Part Number	V	Current Load	Part Number	V	Current Load	Part Number	V	Current Load
PS-1N08	8	12.5	PS-1N40	40	2.5	PS-1N08D	+/-8	6.2
PS-1N12	12	8.3	PS-1N42	42	2.3	PS-1N12D	+/-12	4.1
PS-1N16	16	6.2	PS-1N44	44	2.2	PS-1N16D	+/-16	3.1
PS-1N20	20	5.0	PS-1N48	48	2.0	PS-1N20D	+/-20	2.5
PS-1N24	24	4.1	PS-1N52	52	1.9	PS-1N24D	+/-24	2.0
PS-1N28	28	3.5	PS-1N56	56	1.7	PS-1N28D	+/-28	1.7
PS-1N30	30	3.3	PS-1N62	62	1.6	PS-1N30D	+/-30	1.6
PS-1N34	34	2.9	PS-1N68	68	1.4	PS-1N34D	+/-34	1.4
PS-1N38	38	2.6	PS-1N76	76	1.3	PS-1N44D	+/-44	1.1