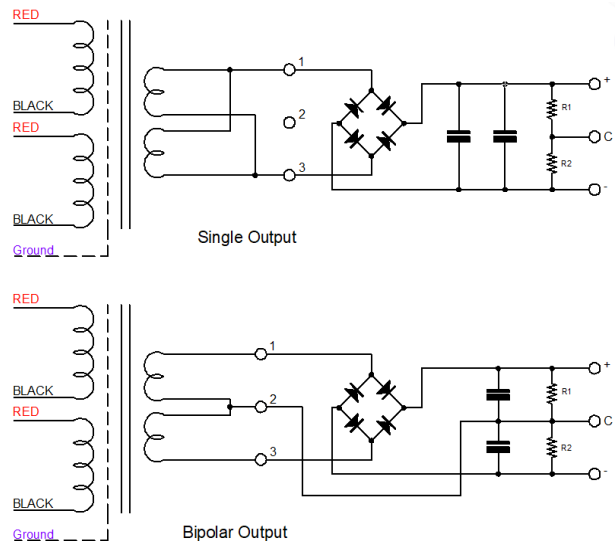
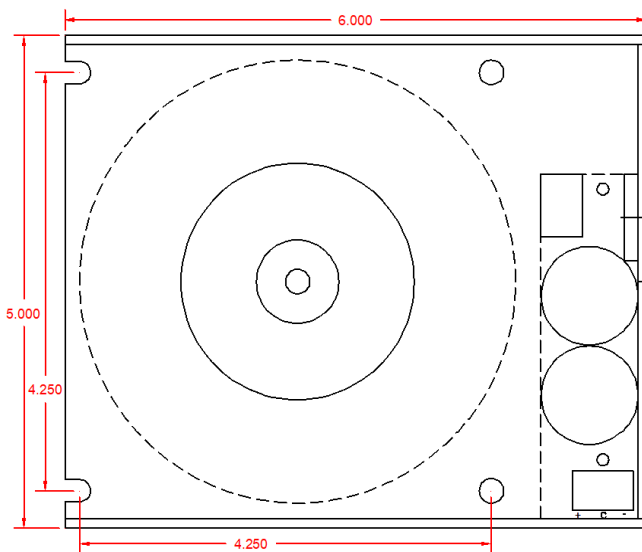


This power supply is specifically designed for small power applications and can function on both standard 115V and 230V power sources at 50Hz or 60Hz frequencies. The toroidal transformer used in this power supply has very low magnetic leakage, which prevents it from interfering with other circuits. It also has a static shield between the primary and secondary components that reduces leakage current. In addition, it is more reliable compared to switching power supplies.

The DC output is equipped with two large capacitors to ensure minimal output ripple. The main output current can briefly exceed the rated current by 150%.

To ensure durability and efficient heat dissipation from the rectifier, the chassis is constructed with 3/32" thick aluminum. This power supply can operate continuously without overheating even when enclosed in a compartment.



Part Number	V	Current Load	Part Number	V	Current Load	Part Number	V	Current Load
PS-2N15	16V	12.5	PS-2N44	44	4.5	PS-2N16D	+/-16	6.2
PS-2N20	20V	10.0	PS-2N48	48	4.0	PS-2N20D	+/-20	5.0
PS-2N24	24V	8.0	PS-2N50	52	3.8	PS-2N24D	+/-24	4.0
PS-2N28	28V	7.1	PS-2N54	54	3.7	PS-2N28D	+/-28	3.5
PS-2N30	30V	6.6	PS-2N56	56	3.5	PS-2N30D	+/-30	3.3
PS-2N32	34V	5.8	PS-2N60	60	3.3	PS-2N34D	+/-34	2.9
PS-2N35	35V	5.7	PS-2N68	68	2.9	PS-2N42D	+/-42	2.3
PS-2N38	38V	5.2	PS-2N70	70	2.8	PS-2N48D	+/-48	2.0
PS-2N42	42V	4.7	PS-2N77	72	2.7	PS-2N54D	+/-54	1.8