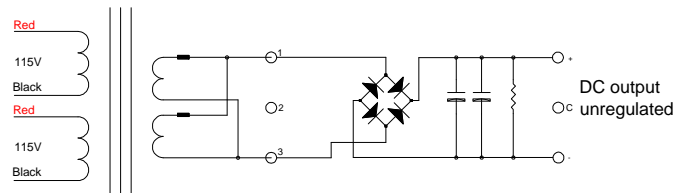
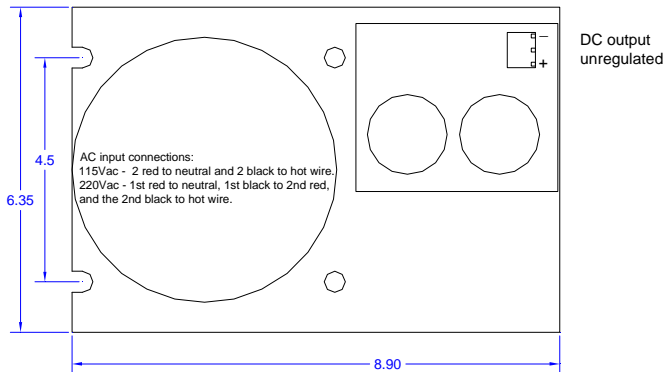


Picture includes optional fuse module

These power supplies are designed for used in the servo motor and stepper motor drive and high over loaded applications. They will work on both standard 115V and 230V at 50Hz or 60Hz. This toroidal transformer has heavier gauge wires then the normal requirement to avoid the copper lost during the full load output and over load output.

The power supply has a flexible add on option that allows more outputs as needed in the future. The main output has 2 large capacitors to guaranty the output ripple to minimum. The chassis is made of 3/32" thick aluminum for strength and heat dissipation from rectifier. It will work continuously without any over heat problem.



AC power connections:

115Vac – 2 red wires to neutral & 2 black wires to hot.
220Vac – 1st red wire to neutral, 1st black wire to 2nd red wire, and the 2nd black wire to hot.

Part No.	Output	Capacitor	-	Note:
PS-6N34	34Vdc 18A	20000uF x2	-	Output voltage can be wired x2. Please specify when place the order. Optional fuse module is available.
PS-6N35	35Vdc 17A	20000uF x2	-	
PS-6N38	38Vdc 16A	20000uF x2	-	
PS-6N44	44Vdc 14A	-	-	
-	-	-	-	
-	-	-	-	
-	-	-	-	
-	-	-	-	