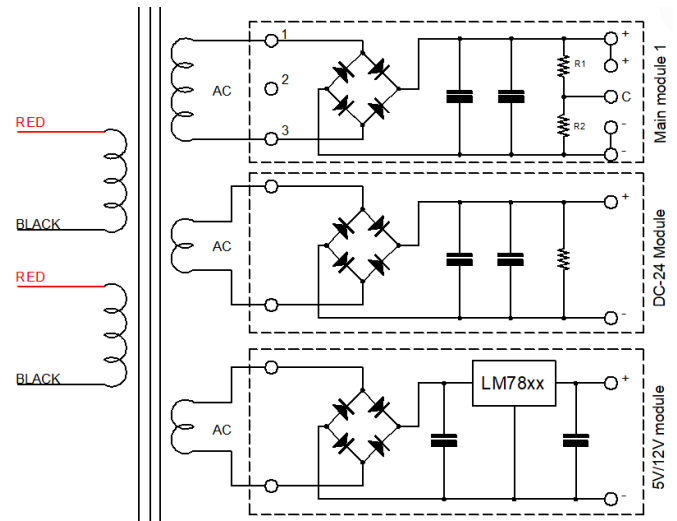
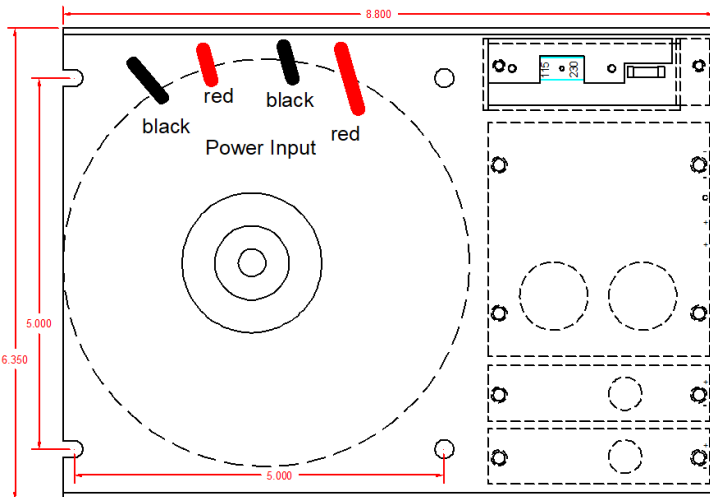




This power supply is designed for use in the stepper or servo motors and heavy load applications. It will work on both standard 115V and 230V at 50Hz or 60Hz. This toroidal transformer has heavier gauge copper wires than the normal requirement to avoid the copper loss during the full load output and over load output. Peak output current can be as high as 150% of rated current for a minute.

The power supply has a flexible add on option that allows more outputs as needed. Those isolated outputs can be used for logic control or relay power supply. The main output has 2 large capacitors (10000uF) to guaranty the output ripple to minimum.

The chassis is made of 3/32" thick aluminum for strength and heat dissipation from rectifier and linear regulator modules. It will work continuously without any overheating problem.



Part Number	Module 1	Module 2	Module 3	Option	Note
PS-8N70	70V 11A				1. Module 2 & 3 and option modules can be added later as required. 2. AC power connections: 115Vac – 2 red wires to neutral & 2 black wires to hot 230Vac – 1 <sup>st</sup> red wire to input, middle 2 wires (black & red) connected, and last black to input. * Suffix (F) fuse module FM-3 ** Suffix (S) soft start SS-12 *** Suffix (E) back EMF shunt module EM-x **** Suffix (M) Bipolar output +/-70V
PS-8N70R5	70V 11A		5V 1A		
PS-8N70R12	70V 11A	12V 1A			
PS-8N70N24R5	70V 11A	24V 2A	5V 1A		
PS-8N70F	70V 11A			FM-3 *	
PS-8N70S	70V 11A			SS-12 **	
PS-8N70E	70V 11A			EM-x ***	
PS-8N70M	70V 11A			Bipolar ****	
PS-8N70N24R5ESF	70V 11A	24V 2A	5V 1A	EM-x & SS-12	

You can order FM-3, SS-12, and/or EM-x modules separately. We will install them into your power supply.