



Our germicidal UV-C light fixture design delivers a safe and effective sanitization method that eliminates viruses such as COVID-19, bacteria, mold spores, and other pathogens to disinfect air and surfaces.

Since UV-C radiation can damage skin and eyes without proper protection, we've developed our proprietary motion sensor technology so that it knows when it's safe to turn on and start sanitizing.

And unlike other methods that require chemicals, UV-C sanitization does not leave any residue or harsh scents, which is preferred for environments that require careful and diligent cleaning and maintenance, such as patient rooms in hospital intensive care units (ICUs).

We provide you a variety of model options in our GC-Series to best fit your needs, including the size of the site and frequency of sanitization, as well as your budget.

Contact us today for a free consultation and quote:

Tel: 201-991-3300

Email: [sales@antekinc.com](mailto:sales@antekinc.com)

## Use Sites

- Hospitals
- Clinics
- Nursing Homes
- Doctor Office
- Offices
- Schools
- Universities
- Churches
- Homeless Shelters
- Detention Centers

Level 1. This is a simple setup for ceiling mount UVC fixture to disinfect a small room or a walkway. It includes the light fixture and UVC light bulbs or PIR motion detector.

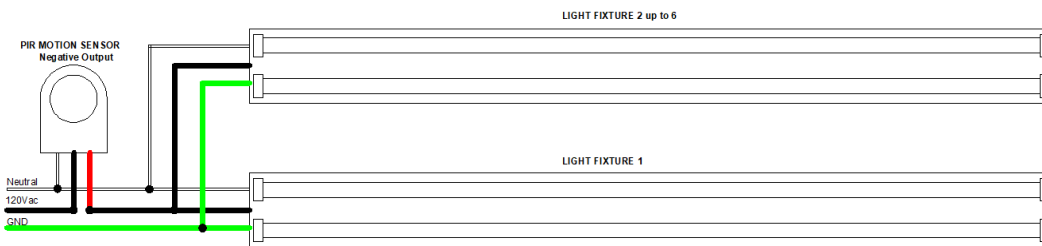
### Required items:

MD-305N PIR motion detector with negative output

GC-0302 24" 20W light fixture with 2 of 24" 20W UVC light bulbs or

GC-0402 36" 30W light fixture with 2 of 36" 30W UVC light bulbs or

GC-0602 48" 60W light fixture with 2 of 48" 40W UVC light bulbs or

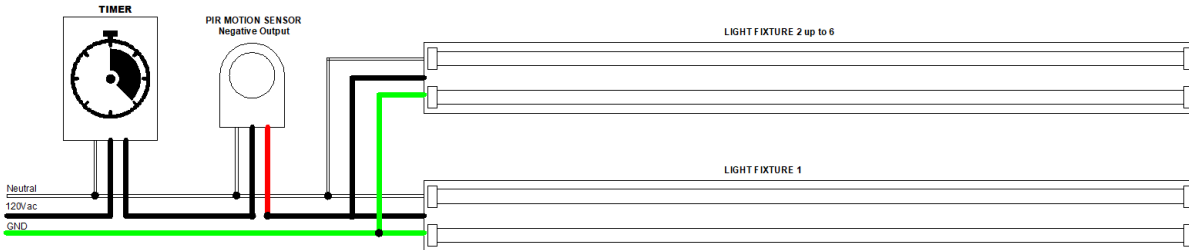


MD-305N

Level 2. This is a moderate setup for ceiling mount UVC fixture to disinfect a small office or class room. It includes the timer switch, PIR motion detector, light fixtures and UVC light bulbs.

Required items:

- TC-1504 15A 120V 5min to 4hour timer switch +
- MD-305N PIR motion detector with negative output +
- GC-0302 24" 20W light fixture with 2 of 24" 20W UVC light bulbs or
- GC-0402 36" 30W light fixture with 2 of 36" 30W UVC light bulbs or
- GC-0602 48" 60W light fixture with 2 of 48" 40W UVC light bulbs



TC-1504

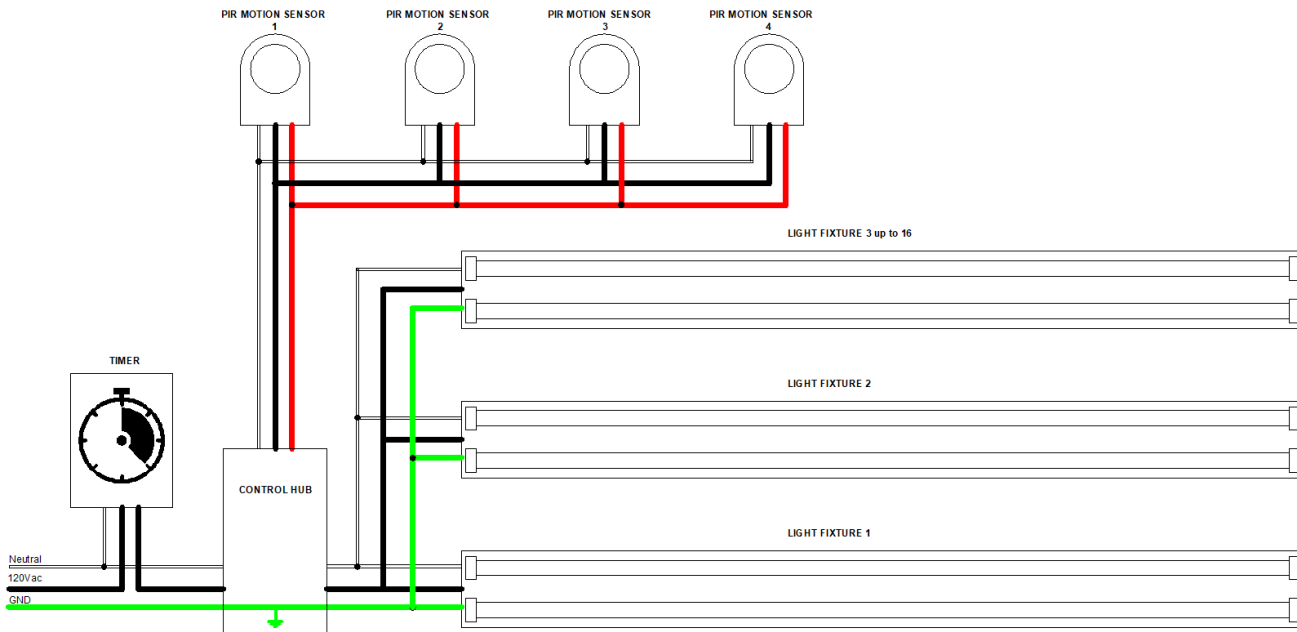
Level 3. This is a complex setup for ceiling UVC fixture to disinfect an office or class room during the work hours. It will automatically turn on UVC light when no one is in the area. It includes the timer switch, PIR motion detectors, light fixtures and UVC light bulbs.

Required items:

- TC-1504 15A 120V 5min to 4hour timer switch +
- MD-305A PIR motion detector array (include 2 sensors & option for 5 sensors) +
- CH-1500 Control hub to simplify all wires from input to output +
- GC-0302 24" 20W light fixture with 2 of 24" 20W UVC light bulbs or
- GC-0402 36" 30W light fixture with 2 of 36" 30W UVC light bulbs or
- GC-0602 48" 60W light fixture with 2 of 48" 40W UVC light bulbs



CH-1500



\* All components are UL listed